

# Applying of modeling tools pack SimInTech in the engineering personnel preparation for the energy sector



**Speaker:**  
Ekaterina  
Maximova  
NRU "MPEI"

## **Authors:**

Ekaterina Maximova

Danila Dementev

Ivan Shcherbatov

***NRU "MPEI"***



The current political situation makes Russian Federation take protective measures to ensure the country's independence in various sectors of the economy. Import dependence is quite strong in the energy sector.

Import dependence in the energy sector:

- Equipment
- Software
- Specialists training
- Scientific activity, etc.



The SimInTech use in the preparation of engineering specialties

Symantec is the equivalent for



1. Matlab
2. Multisim
3. 20-sim, etc.

It becomes possible to implement practice-oriented courses and laboratory work complexes for a wide range of engineering disciplines with the SimInTech help.

## Digital devices designing in SimInTech modeling software

### Combination digital devices. Coder

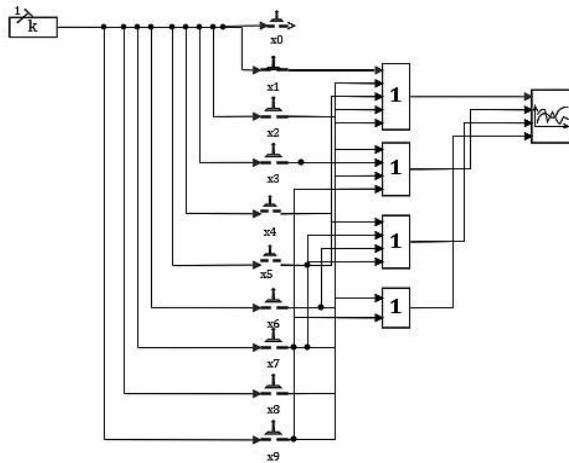


Fig.1. The scheme of coder "10-4"

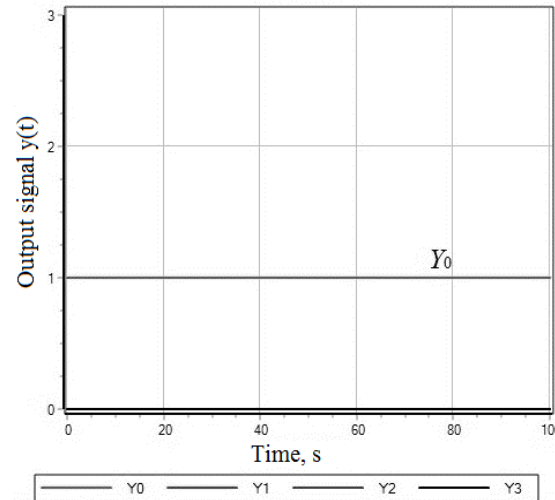


Fig.2. Determination of the output signal of the encoder "10-4"

## Digital devices designing in SimInTech modeling software

### Combination digital devices. Decoder

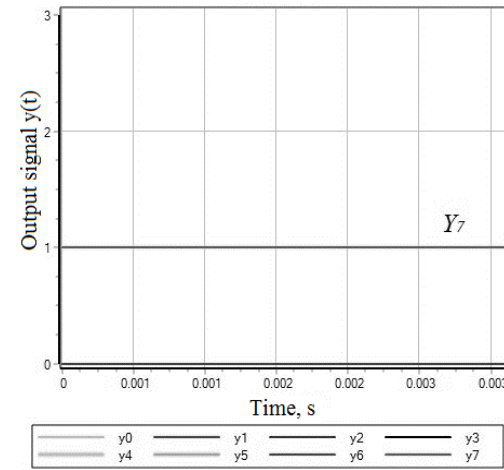
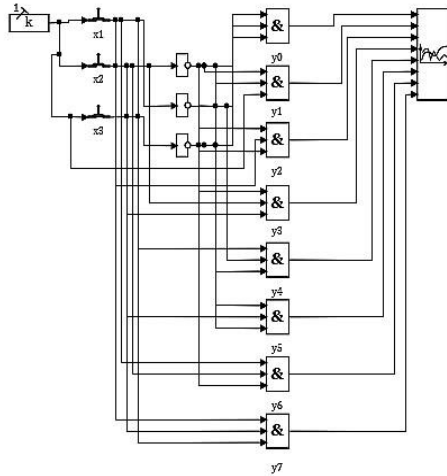


Fig.3. A model of the implementation scheme of the decoder "1 of 8"

Fig.4. Example of determining output signal of the decoder "1 of 8" using the "Graph" element for the input combination "111"

## Digital devices designing in SimInTech modeling software



### Digital devices with memory

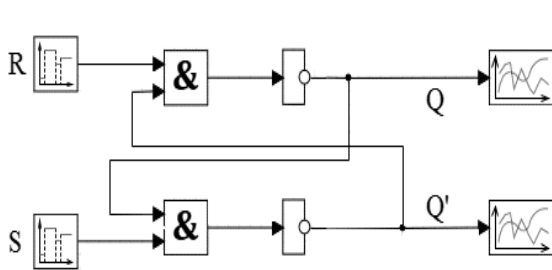


Fig.5. Creating a trigger scheme on logic elements "And" and "NOT"

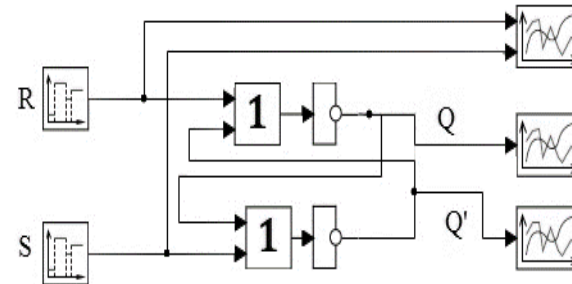


Fig.6. The circuit of trigger modeling on logic elements "OR" and "NOT"

# Thank you for attention!

Speaker's contacts:



**Ekaterina Maximova**

**NRU "MPEI"**

**MaximovaYekD@mpei.ru**

**maxim1995ka@mail.ru**

